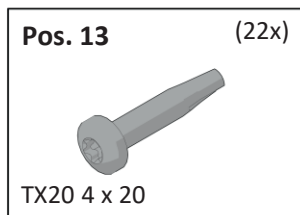
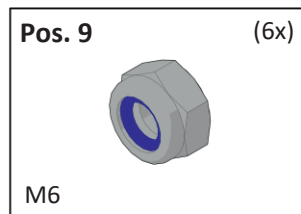
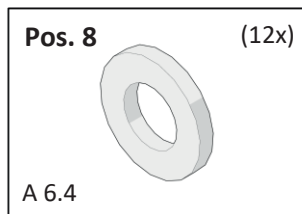
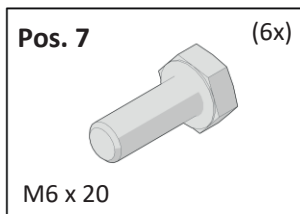
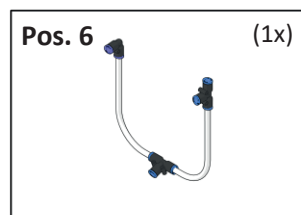
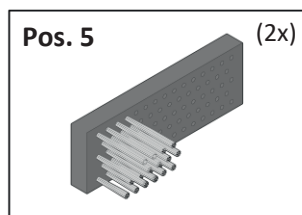
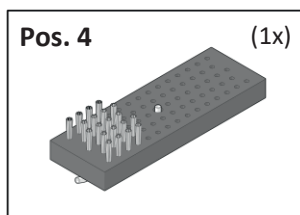
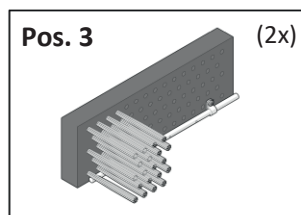
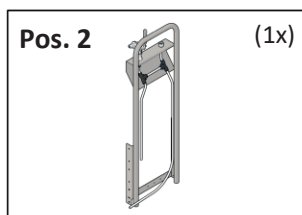
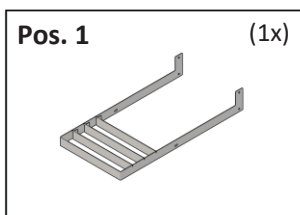
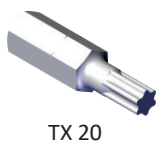


296900 – Boot cleaner Mod. 2024



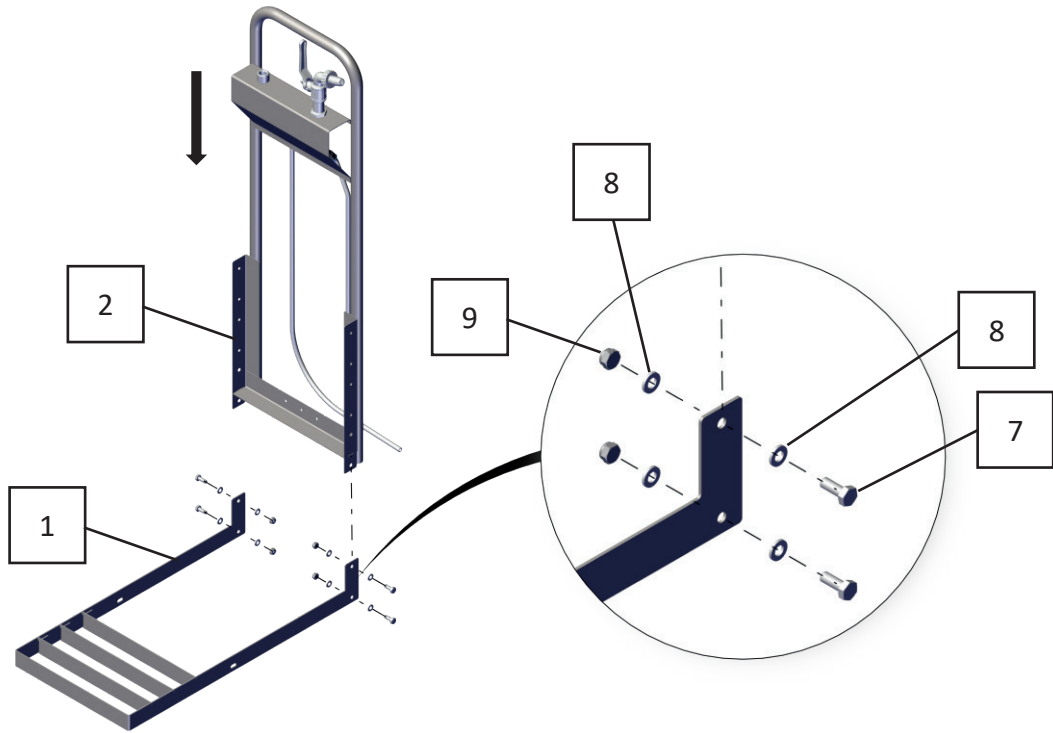
Albert Kerbl GmbH
 Felizenzell 9
 84428 Buchbach, Germany
 Tel. +49 8086 933 - 100
 Fax +49 8086 933 - 500
 info@kerbl.de
 www.kerbl.de

Kerbl France Sarl
 3 rue Henri Rouby, B.P 46 Soultz
 68501 Guebwiller Cedex, France
 Tel. : +33 3 89 62 15 00
 Fax : +33 3 89 83 04 46
 info@kerbl-france.com
 www.kerbl-france.com

Kerbl UK Ltd
 8 Lands End Way
 Oakham, Rutland
 LE15 6RF, UK
 Phone: +44 01572 722558
 enquiries@kerbl.co.uk
 www.kerbl.co.uk



1

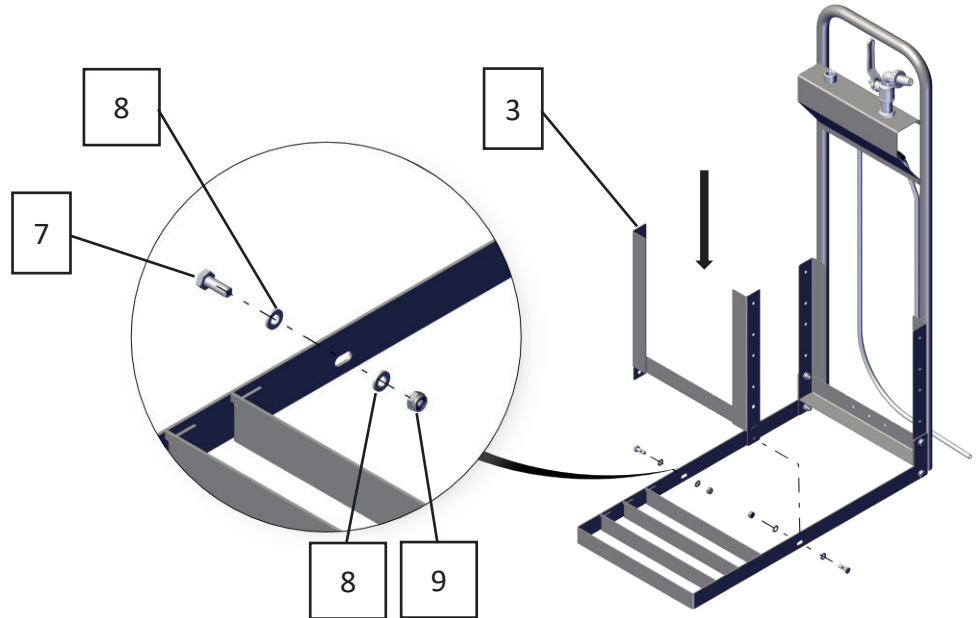


- 1 1x
- 2 1x
- 7 4x
- 8 8x
- 9 4x



SW 10

2

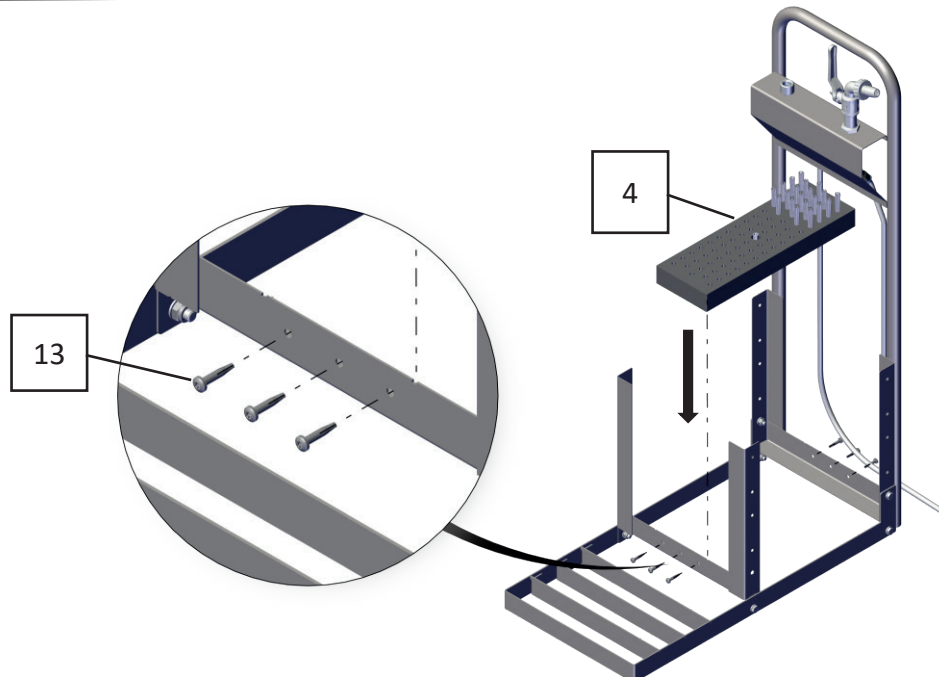


- 3 1x
- 7 2x
- 8 4x
- 9 2x



SW 10

3

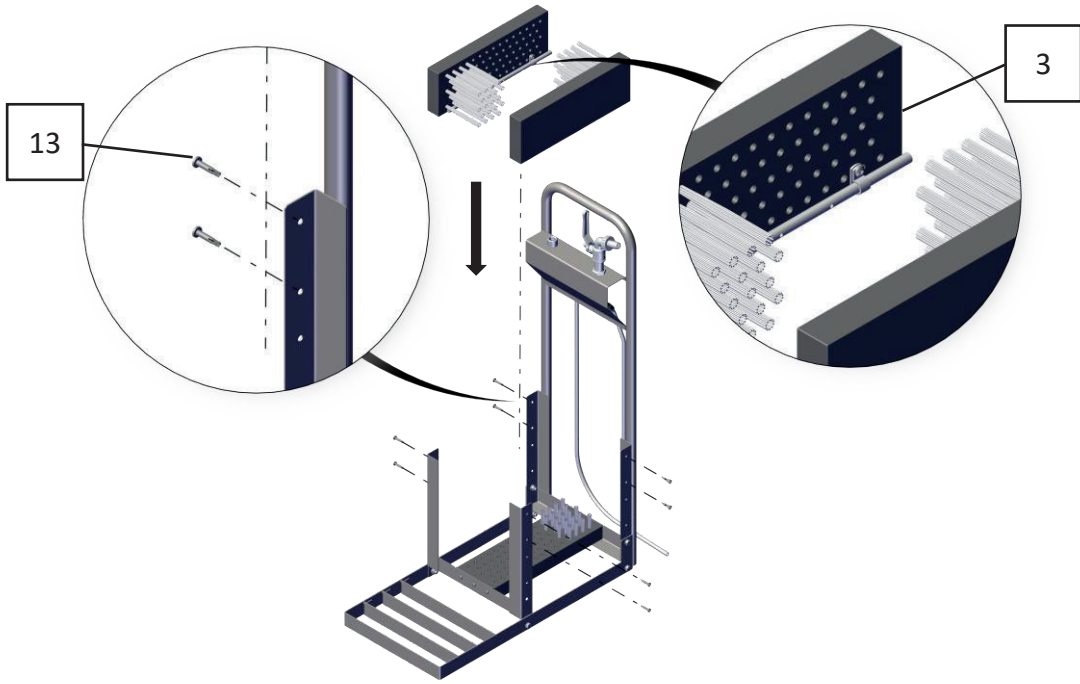


- 4 1x
- 13 6x



TX 20

4

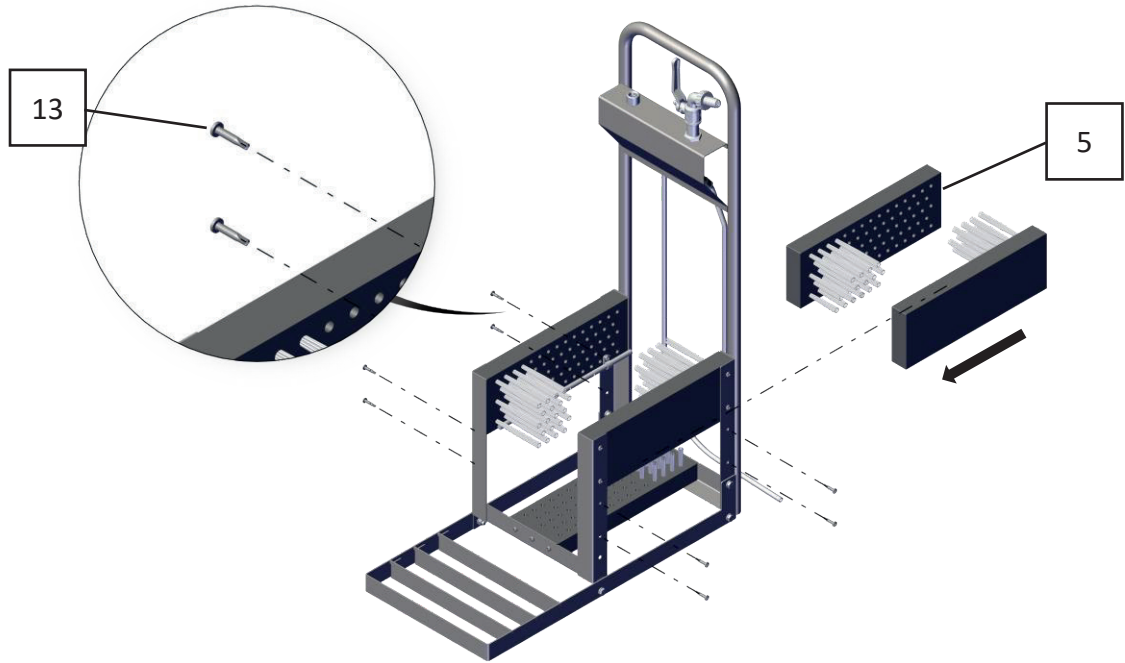


3 2x
13 8x

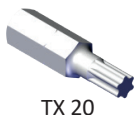


TX 20

5

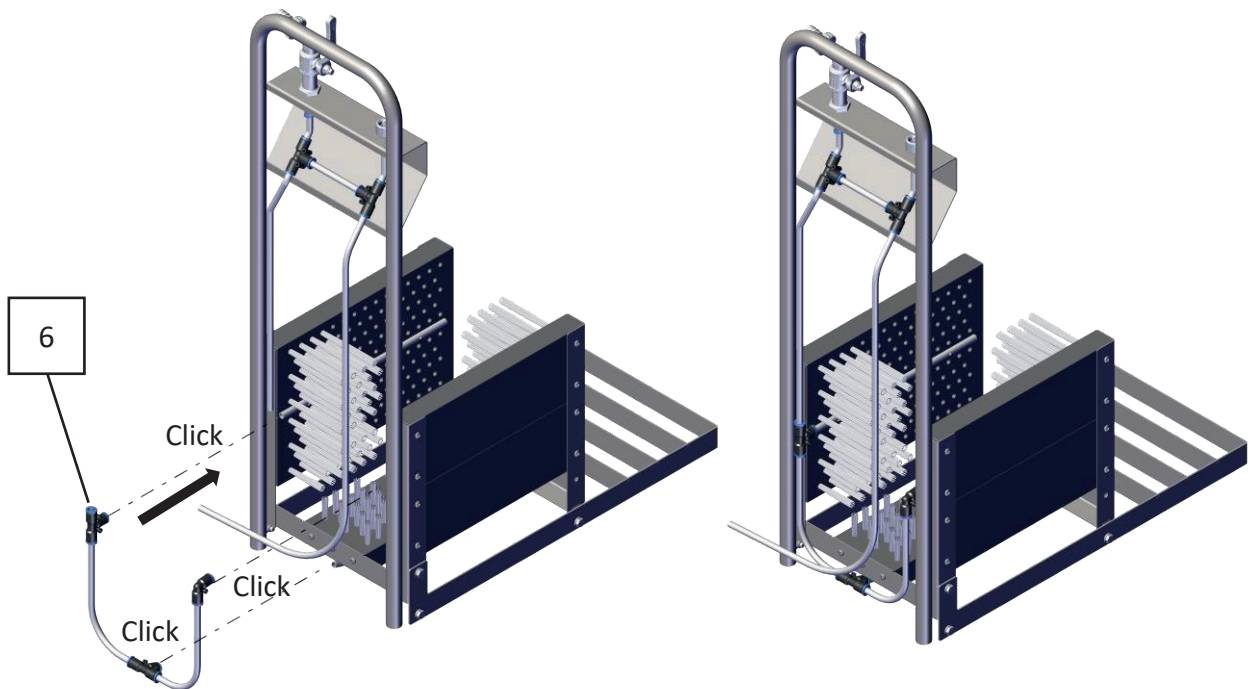


5 2x
13 8x



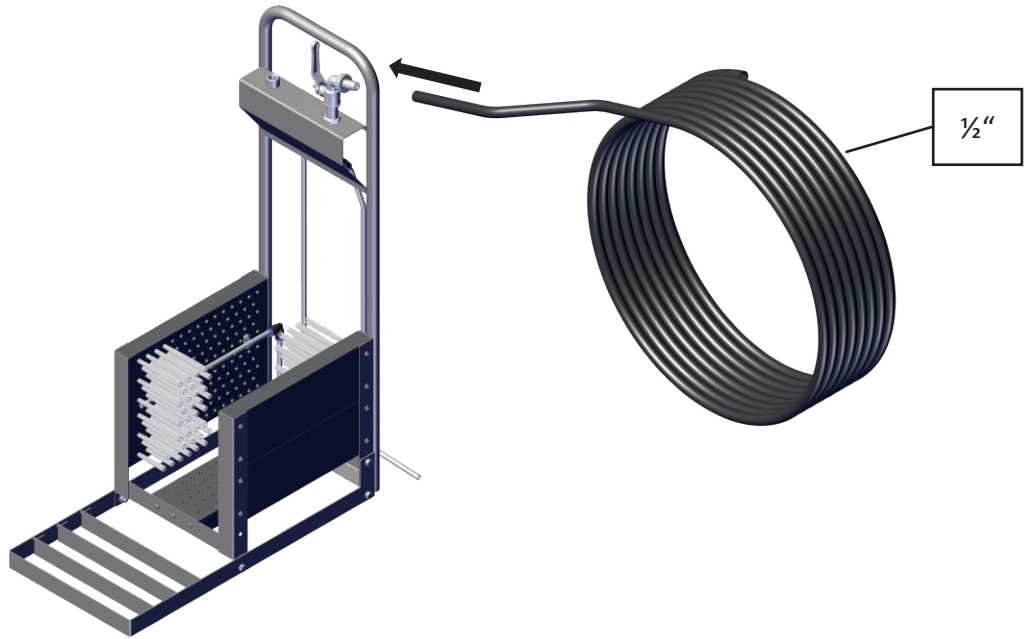
TX 20

6

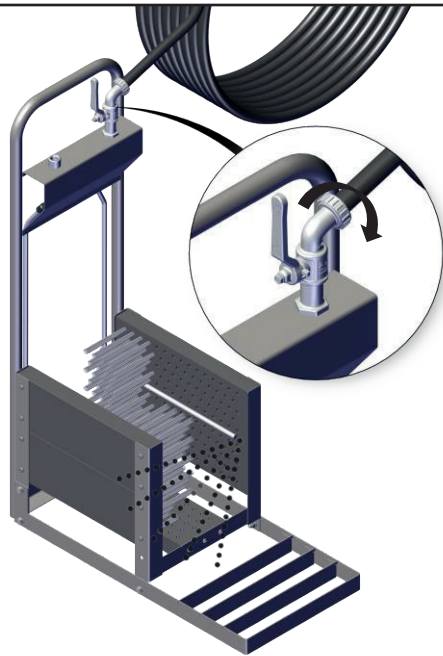


6 1x

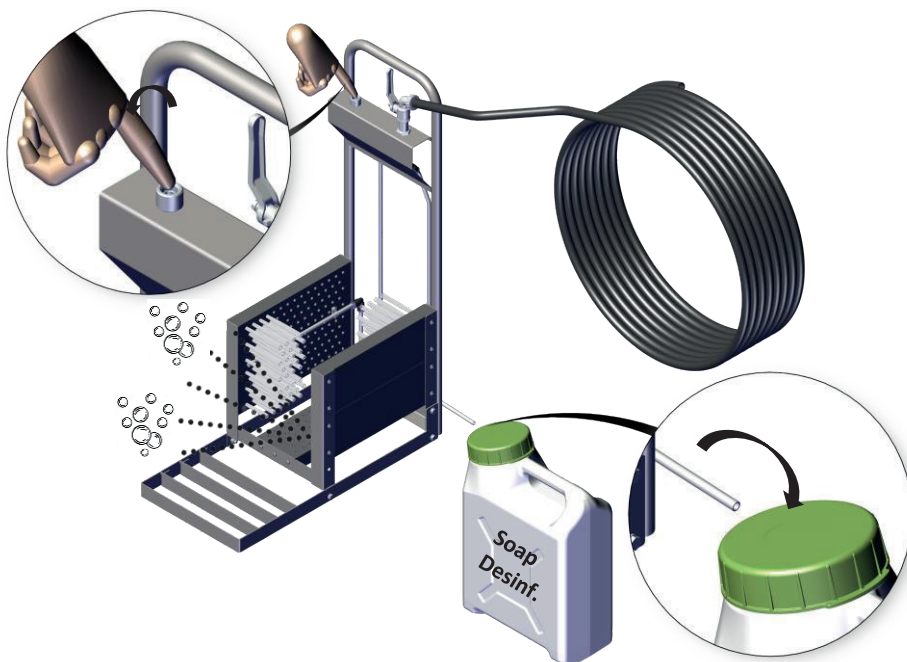
7



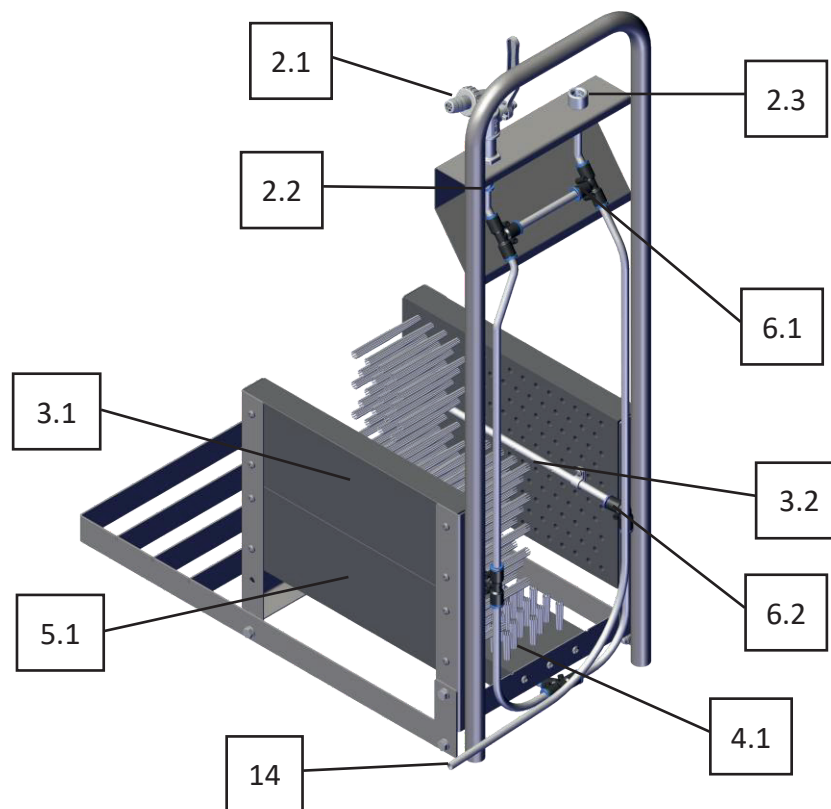
8



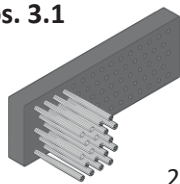
9



296900 – Spare parts

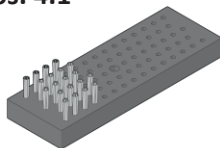


Pos. 3.1



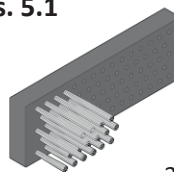
29322

Pos. 4.1



29321

Pos. 5.1



29323

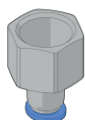
Pos. 2.1



1/2"

29320-0-0

Pos. 2.2



1/2"

29320-7

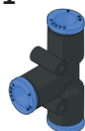
Pos. 2.3



1/4"

29320-11

Pos. 6.1



Ø8

29320-6

Pos. 6.2



1/2"

29320-7

Pos. 3.2



Ø8x275 mm

29320-9

Pos. 14



Ø8x1000 mm

29320-10